

DCR™ x86



Features

- Red Dot Design Award Winner
- Super Compact All-in-One POS Terminal
- 3" Fast Printer, Card Reader, and Customer Display Integrated
- Powerful Performance with Intel® Celeron® J1900 Quad-Core Processor
- 8" Wide or 10" Display with PCAP Touch
- Windows OS Supported
- Budget-Friendly Solution

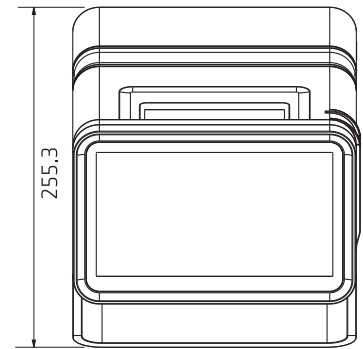
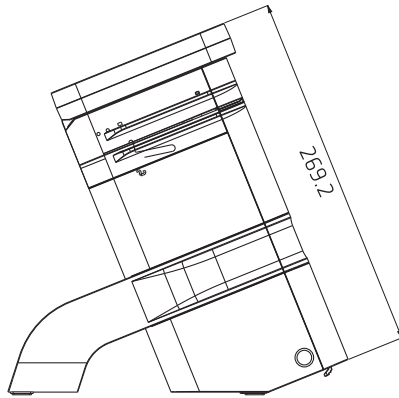
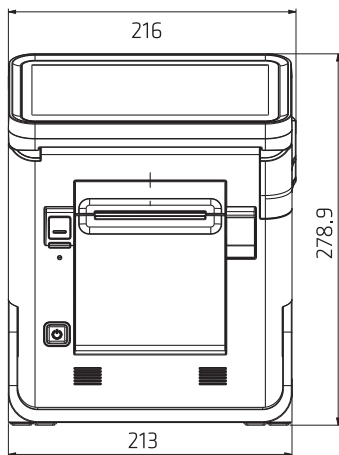
Specifications

System	Processors	Intel® Celeron® J1900 (2M Cache, 2.0/2.42 GHz(Burst), 4 Cores), Fanless Intel® Celeron® J1800 (1M Cache, 2.41/2.58 GHz(Burst), 2 Cores), Fanless
	Memory	2GB Standard, DDR3L 1600 MT/s, Socket 1 x SODIMM
	Storage	m-SATA (3Gb/s) SSD 64GB, Support AHCI
	Operating Systems	Windows 7, Windows 8.1, Windows 10 IoT Enterprise, POS Ready 7
	Printer	3" Jam-Free Thermal, 200~250mm/s, Auto Cutter (Interface : Serial, USB), Built-in Type
Display	Type	8" Wide TFT LCD, LED Backlight 9.7" TFT LCD, LED Backlight
	Resolution	8" 1024 x 600 9.7" 1024 x 768
	Brightness	8" 500 cd/m ² 9.7" 300 cd/m ² (typ.)
	Touchscreen	Projective Capacitive Touch
Interface	USB	4 (Rear 4, USB 2.0 x 2, USB 3.0 x 2)
	Serial	COM1, COM2, COM3
	LAN	1x Gigabit Ethernet
	Cash Drawer port	1
	Power DC-IN	1x (3 Pin Connector)
	PS/2	1 (Reserved for Keyboard or Mouse)
	Audio	1x Line-out, 1x Mic-in
	Display	1x VGA (With Power Output)
Power	Power Supply	Adaptor 24V, 2A
Physical & Environmental	Operating Temperature	0 °C ~ 60 °C at 10% to 90% Humidity
	Storage Temperature	-20 °C ~ 80 °C at 10% to 90% Humidity
	Dimensions (W x H x D)	8" 216 x 278.9 x 255.3 (mm), 8.5 x 10.9 x 10.1 (in) 9.7" 238.6 x 293.5 x 255.3 (mm), 9.4 x 11.6 x 10.1 (in)
	Packing Dimensions (W x H x D)	8" 350 x 330 x 285 (mm), 13.8 x 13.0 x 11.2 (in) 9.7" 350 x 375 x 285 (mm), 13.8 x 14.8 x 11.2 (in)
	Net Weight	8" 3,000g 9.7" 3,700g
	Packing Weight	8" 4,200g 9.7" 5,400g
	Certification	CE, FCC, KC
	Color	Glossy White, Matte Black
Options & Peripherals	Customer Display	VFD 20 Columns x 2 Lines, LCD 16 Columns x 2 Lines (Factory Option)
	Magnetic Stripe Reader	Comply with ISO 7811, Support 1 & 2 & 3 Track (Factory Option)
	Smart Card Reader	EMV Level 1, 2 (Factory Option)
	SD Card Reader	Yes
	WiFi	Mini PCIe for Wireless LAN

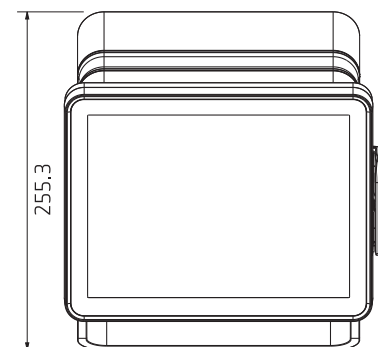
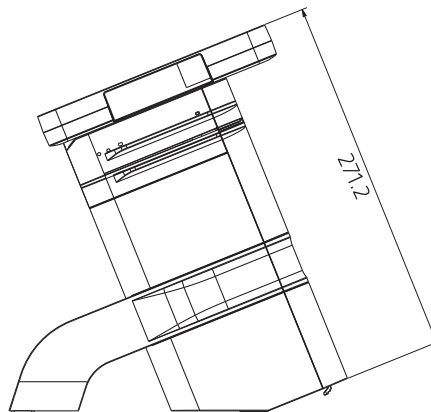
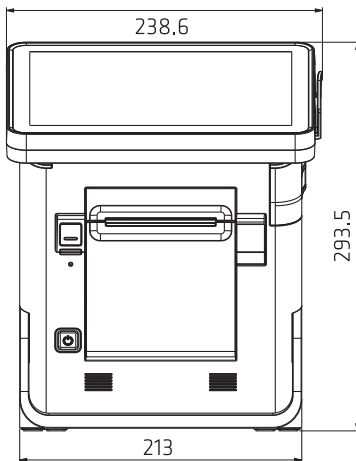
Dimensions

Unit : mm

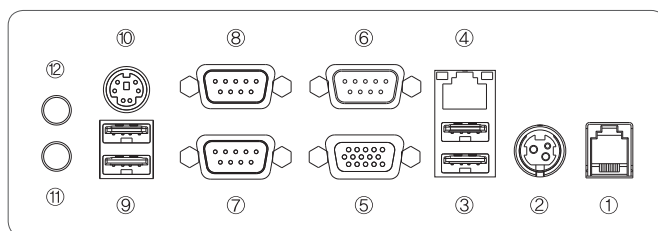
8"



9.7"



I/O Interfaces



- ① Cash Drawer
- ② Power Connector / 24V
- ③ USB 3.0 x 2
- ④ LAN
- ⑤ VGA
- ⑥ COM 1
- ⑦ COM 2
- ⑧ COM 3
- ⑨ USB 2.0 x 2
- ⑩ PS/2 Connector
- ⑪ MIC IN
- ⑫ AUDIO OUT

Ordering Information

Part No.	Description
DCR X86 (B)	Intel Celeron J1900 Quad-Core, DDR3 4GB, SSD 64GB, 9.7" P-CAP Touch, Built-in Printer, No O/S, Black
IPO-MS 237 C_DCR_B	MSR, Black
IPO-MS 237 E2_DCR	MSR + SCR, Black
DCR_CDP	Customer Display (VFD)

POSBANK® www.posbank.com sales@posbank.com

Copyright © 2018 POSBANK Co., Ltd.

POSBANK and the POSBANK logo are trademarks of POSBANK in the United States and other countries. All trademarks are the property of their respective owners. Intel, Celeron, Core are registered trademarks of Intel Corporation in the United States and other countries. Microsoft, Windows 7, Windows 8.1, Windows 10 IoT Enterprise and POS Ready 7 are registered trademarks of Microsoft Corporation in the United States and other countries. POSBANK shall not be liable for technical or editorial errors or omission contained herein. The information in this publication is informational purposes only and may be altered or amended by POSBANK. All statements regarding POSBANK's direction and intent are subject to change or withdraw without notice. Specifications may change without prior notice.