

APEXA® GW-1560



Features

- 15.6" Wide Touchscreen POS Terminal
- Intel® Core™ / Pentium™ / Celeron™ Quad-Core Processor
- Bezel-Free TFT Display with PCAP Touch & LED Backlight
- Spill and Dust Resistant
- Contemporary and Modern Styling
- Multiple I/O Interfaces for Peripherals
- Flexible Deployment on a Counter or a Wall
- Fast Installation and Easy Serviceability

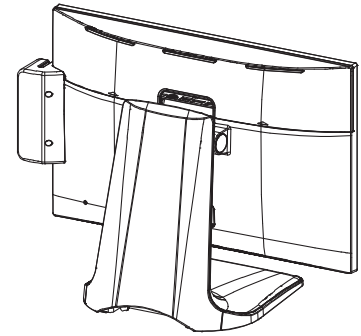
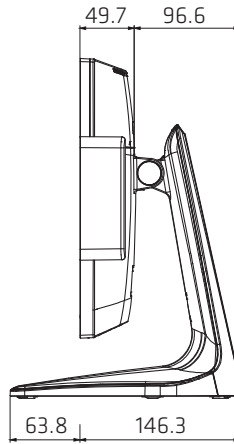
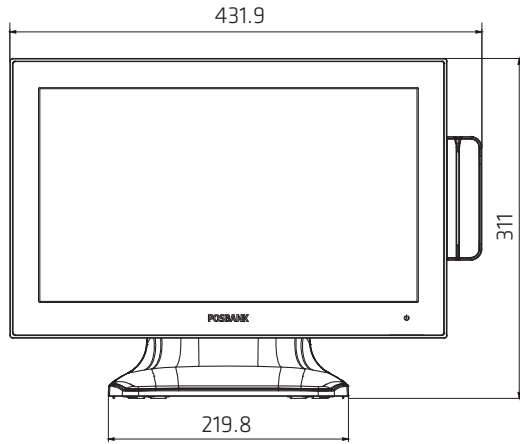
Specifications

System	Processors	Intel® Core™ i5-7200U (3M Cache, 2.50/3.10 GHz(Turbo), 2 Cores) Intel® Pentium® 4415U (2M Cache, 2.30 GHz, 2 Cores) Intel® Celeron® 3965U (2M Cache, 2.20 GHz, 2 Cores) Intel® Celeron® J1900 (2M Cache, 2.0/2.42 GHz(Burst), 4 Cores), Fanless	
	Chipset	7200U/4415U ITE Tech IT8786E J1900 Intel® Bay Trail	
	Memory	7200U/4415U/3965U 4GB Standard, DDR4 2133 MT/s, Socket 1 x SODIMM (Max. 16GB) J1900 4GB Standard, DDR3L 1600 MT/s, Socket 1 x SODIMM	
	Storage	7200U/4415U/3965U SATA 3 (6Gb/s) 2.5 inch SSD 64GB, Support AHCI J1900 SATA 2 (3Gb/s) 2.5 inch SSD 64GB, Support AHCI	
	Operating Systems	7200U/4415U/3965U Windows 10 IoT Enterprise J1900 Windows 7, Windows 8.1, Windows 10 IoT Enterprise, POS Ready 7	
	Audio	Realtek ALC662-VD	
Display	Type	15.6" TFT LCD, LED Backlight	
	Resolution	1366 x 768	
	Brightness	400 cd/m ² (typ.)	
	Touchscreen	Projected Capacitive Touch	
Interface	Display	1 x VGA (With Power Output)	
	USB	7200U/4415U/3965U 6 (Rear 2, Back 4, USB 3.0 x 2, USB 2.0 x 4) 3 (Reserved for MSR, SCR, i-Button/Touch Controller/Camera), RJ-45	
		J1900 6 (Rear 2, Back 4, USB 2.0 x 6) 3 (Reserved for MSR, SCR, i-Button/Touch Controller/Camera), RJ-45	
		6 (COM 1 with 5V/12V Power Output on 9 Pins, BIOS) (COM2-3 RJ-45, Full Signal) (COM4 RJ-11, Only TX/RX, 12V Power Output, Reserved for CDP) (COM5 Reserved for Cash Drawer Port) (COM6 RJ-45, Only TX/RX, 5V Power Output, Reserved for MSR)	
	LAN	1 x Gigabit Ethernet, RJ-45	
	Audio	1 x Line-out	
	Power DC-IN	7200U/4415U/3965U 1 x (3 Pin Connector) J1900 1 x (4 Pin Connector)	
	Extension Slot	7200U/4415U/3965U Mini PCIe, m-SATA J4105 M.2	
	Power	Power Supply	7200U/4415U/3965U Adaptor 24V, 2A / 24V, 4A(Powered USB Option) J1900 Adaptor 12V, 5A
		Operating Temperature	0 °C ~ 60 °C at 10% to 90% Humidity
Physical & Environmental	Storage Temperature	-20 °C ~ 80 °C at 10% to 90% Humidity	
	Dimensions (W x H x D)	400 x 311 x 210 (mm), 15.7 x 12.2 x 8.3 (in)	
	Packing Dimensions (W x H x D)	500 x 470 x 300 (mm), 19.6 x 18.5 x 11.8 (in)	
	Net Weight	7,000g, 15.4lbs	
	Packing Weight	9,000g, 19.8lbs	
	Certification	CE, FCC, KC	
	Color	Matte Dark Grey, High Gloss White	
Options & Peripherals	2nd Displays	9.7", 12.1", 15" LCD Display, 1024 x 768, Optional Touchscreen	
	Customer Display	VFD, 20 Columns x 2 Lines	
	I/O Expansion	7200U/4415U/3965U 1 x COM5 (RJ-45 8 Pins) (Factory Option) 1 x Cash Drawer Port (RJ-11 6 Pins) (Factory Option) 1 x Powered USB (24V)	
		J1900 1 x COM5 (RJ-45 8 Pins) (Factory Option) 1 x Cash Drawer Port (RJ-11 6 Pins) (Factory Option)	
	Storage	2.5 inch SSD 128GB, HDD 500GB, 1TB	
	Magnetic Stripe Reader	Comply with ISO 7811, Support 1 & 2 & 3 Track	
	Smart Card Reader	EMV Level 1, 2	
	Dallas	Dallas i-button Reader	
	Fingerprint	Yes	
	Camera	5M USB Interface (Internal) (Factory Option)	
	Wall Mount Kit	VESA-Compatible, 75 x 75(mm), 100 x 100(mm)	
Serial Conversion Cable	RJ-45 to D-sub 9		
Speaker	2 x 1W (Stereo) (Factory Option)		

* Specifications may change without prior notice.

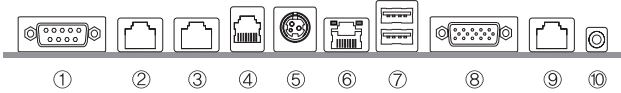
Dimensions

Unit : mm



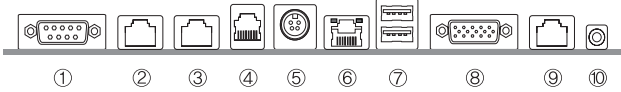
I/O Interfaces

IT8786E



- | | |
|----------------------------|---------------|
| ① COM 1 | ⑥ LAN |
| ② COM 2 | ⑦ USB 3.0 x 2 |
| ③ COM 3 | ⑧ VGA |
| ④ COM 4 | ⑨ MSR |
| ⑤ Power Connector / DC 24V | ⑩ AUDIO OUT |

J19



- | | |
|----------------------------|---------------|
| ① COM 1 | ⑥ LAN |
| ② COM 2 | ⑦ USB 2.0 x 2 |
| ③ COM 3 | ⑧ VGA |
| ④ COM 4 | ⑨ MSR |
| ⑤ Power Connector / DC 12V | ⑩ AUDIO OUT |

Ordering Information

Part No.	Description
APEXA GW_1560 (G)	Intel Celeron J1900 Quad-Core, DDR3 4GB, SSD 64GB, 15.6" P-CAP Touch, Dark Grey, No O/S
APEXA GW_P_1560 (G)	Intel Pentium 4415U, DDR4 4GB, SSD 64GB, 15.6" P-CAP Touch, Dark Grey, No O/S
APEXA GW_P_1560 (G)	Intel Core i5 7200U, DDR4 4GB, SSD 64GB, 15.6" P-CAP Touch, Dark Grey, No O/S

Peripherals



2nd Display
• 9.7", 12.1", 15" LCD



Customer Display
• VFD (2 Line x 20 Characters)



Card Reader
• MSR, SCR

POSBANK® www.posbank.com sales@posbank.com

Copyright © 2019 POSBANK Co., Ltd.

POSBANK and the POSBANK logo are trademarks of POSBANK in the United States and other countries. All trademarks are the property of their respective owners. Intel, Celeron, Core are registered trademarks of Intel Corporation in the United States and other countries. Microsoft, Windows 7, Windows 8.1, Windows 10 IoT Enterprise and POS Ready 7 are registered trademarks of Microsoft Corporation in the United States and other countries. POSBANK shall not be liable for technical or editorial errors or omission contained herein. The information in this publication is informational purposes only and may be altered or amended by POSBANK. All statements regarding POSBANK's direction and intent are subject to change or withdraw without notice. Specifications may change without prior notice.